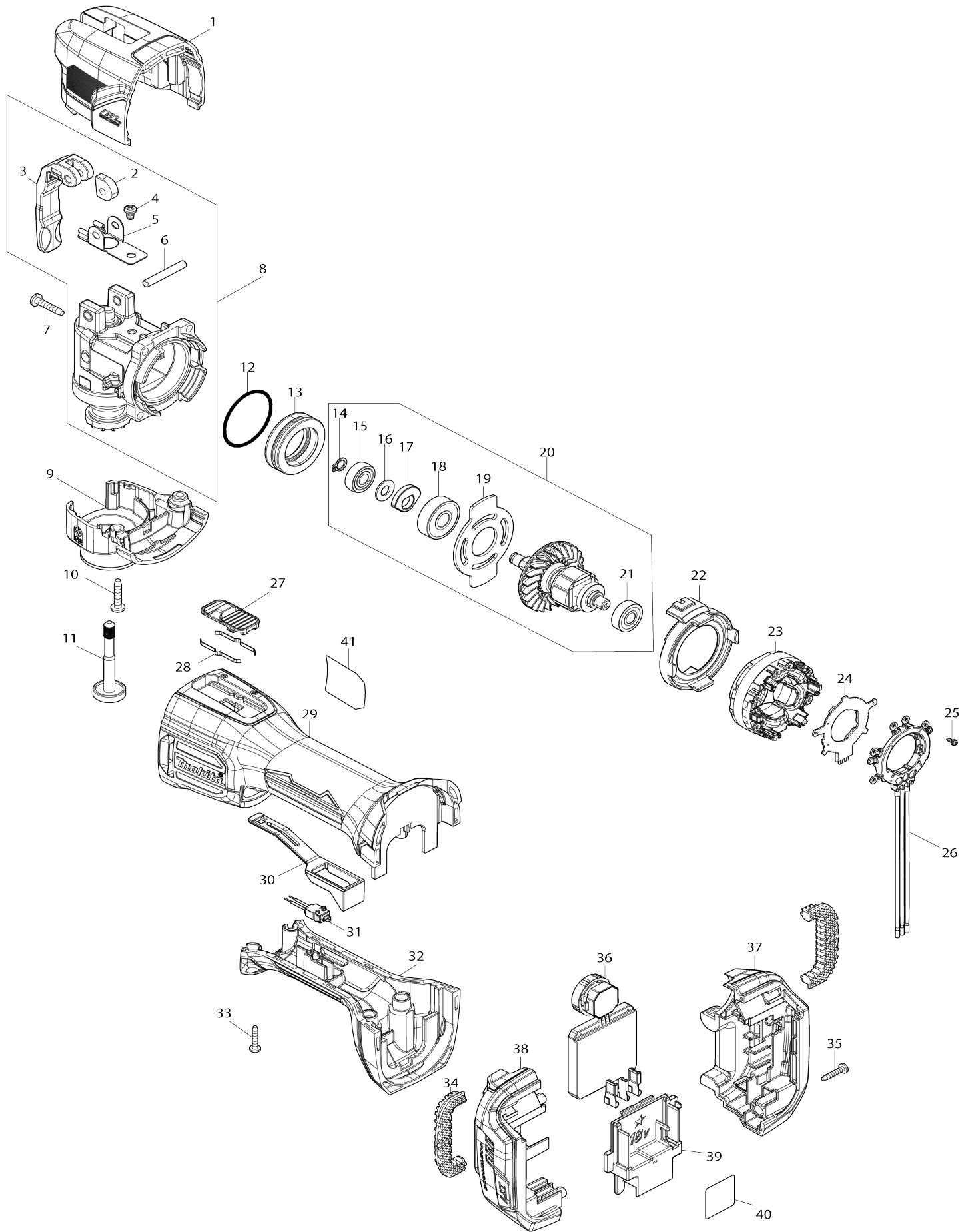


Model No.DTM53 Cordless Multi Tool



Model No.DTM53 Cordless Multi Tool

Item No.	Parts No.	Description	Interchangability	Q'ty	New/Old	Note1	Note2
001	4133F4-7	Upper head cover		1			
002	313268-2	Turn block		1			
003	312J38-6	Lever		1			
004	911102-6	Pan head screw M4X6		1			
005	232282-8	Leaf spring		1			
006	268306-4	Pin 5		1			
007	266424-2	Binding head tapping screw 4X20		4			
008	137413-3	CRANK HOUSING ASS'Y		1			
008		INC. 2-6					
009	4133E9-0	Lower head cover		1			
010	266424-2	Binding head tapping screw 4X20		2			
011	327177-9	Holder bolt		1			
012	213343-3	O-ring 35		1			
013	327G33-5	Bearing box		1			
014	961003-8	Retaining ring (EXT) S-7		1			
015	210164-4	Sphere bearing 706		1			
016	253133-2	Flat washer 7		1			
017	313245-4	Balancer		1			
018	210194-5	Ball bearing 629DDW		1			
019	285061-3	Bearing retainer		1			
020	519929-4	ROTOR ASS'Y		1			
020		INC. 14-19,21					
021	210169-4	Ball bearing 607LLB		1			
022	137339-9	BUFFLE PLATE ASSEMBLY		1			
C10	263032-0	Rubber pin 4		2			
023	629D58-0	Stator		1			
024	620N53-3	Controller B		1			
025	652119-7	Pan head screw M2X6		6			
026	638B16-3	Lead unit		1			
027	4133F2-1	Switch knob		1			
028	232954-5	Leaf spring		2			
029	1831V3-0	HANDLE COVER SET		1			
029		INC. 32					
030	4133F1-3	Switch lever		1			
031	632W66-6	Switch unit		1			
032	1831V3-0	HANDLE COVER SET		1			
032		INC. 29					
033	266429-2	Binding head tapping screw 3X16		4			
034	424473-7	Cushion rubber		2			
035	266429-2	Binding head tapping screw 3X16		2			
036	620S45-2	Controller		1			
037	1831U4-1	BATTERY HOUSING SET		1			
C10	263005-3	Rubber pin 6		2			
037		INC. 38					
038	1831U4-1	BATTERY HOUSING SET		1			

C10	263005-3	Rubber pin 6		2			
038		INC. 37					
039	643874-2	Terminal		1			
040	8153C3-8	DTM53 SERIAL NO. LABEL		1			
041	8153C1-2	DTM53 NAME PLATE		1			
F01	1916E4-5	Depth gauge assembly set		1			
F02	1916E5-3	Dust attachment set		1			

Please state Parts No. when your order.

Print Date 10/04/2026